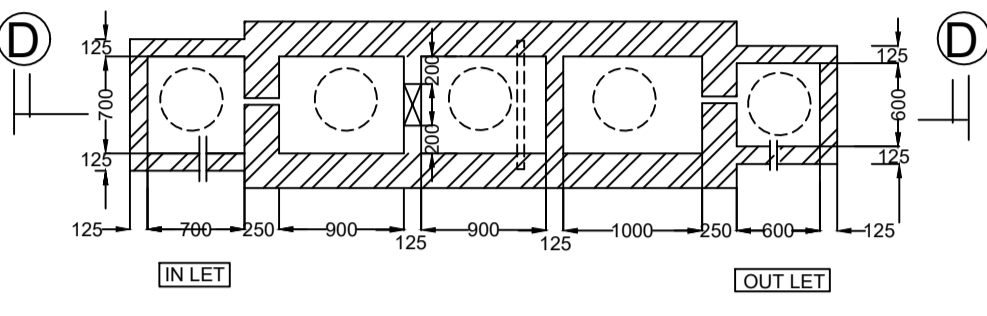


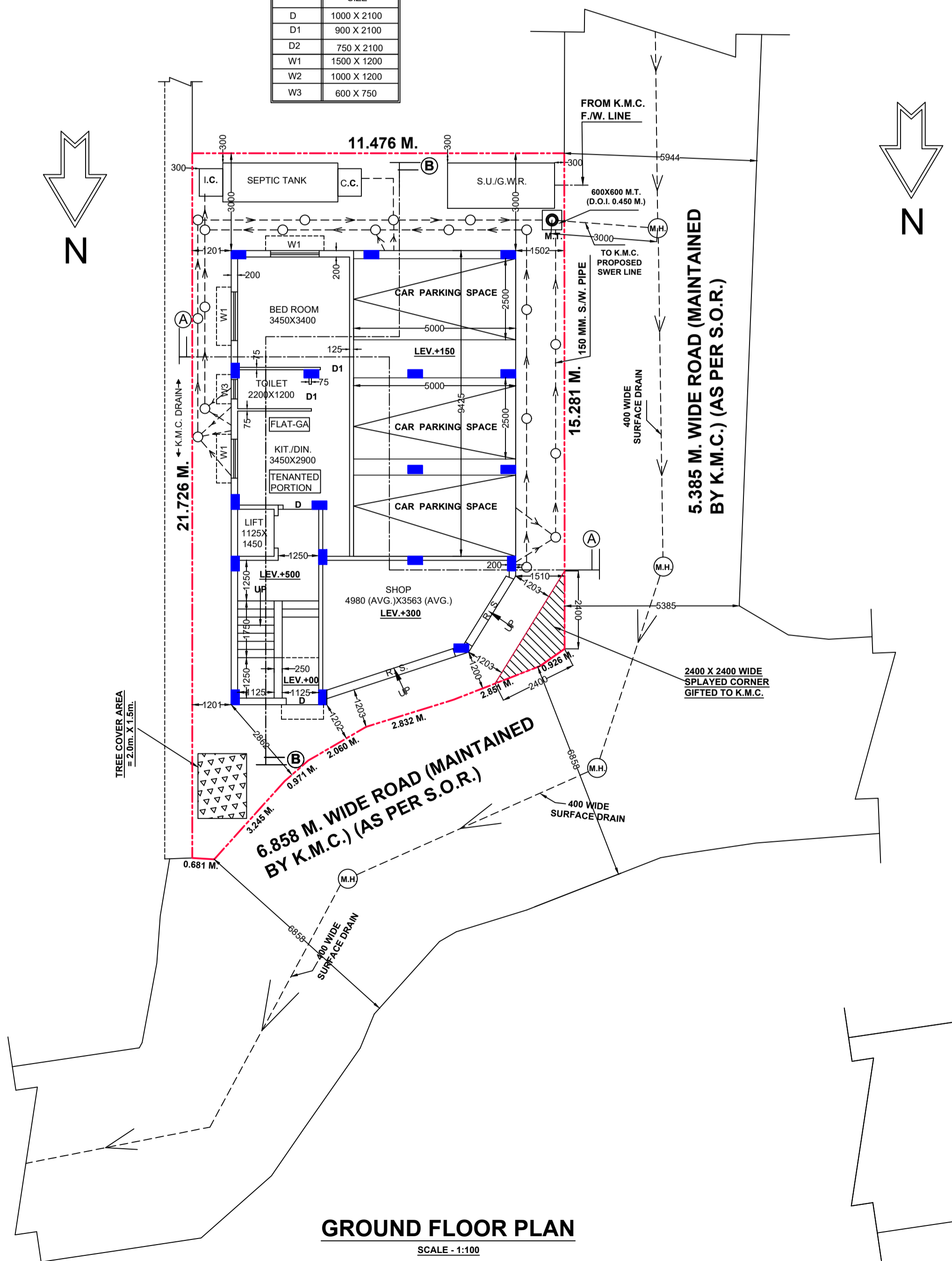
SECTION ON - (D)



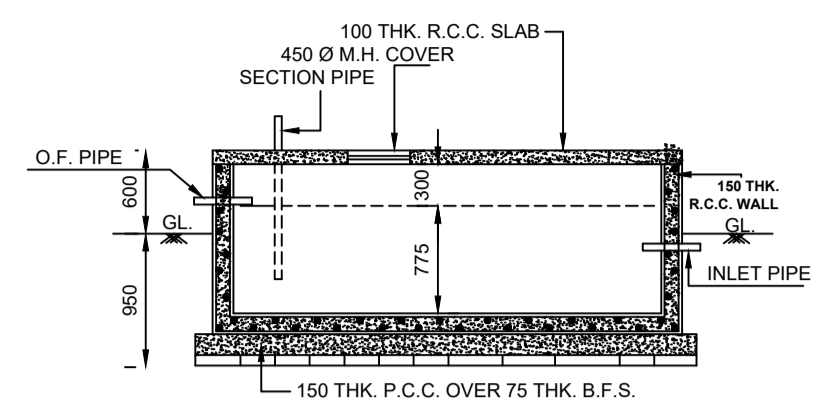
PLAN OF SEPTIC TANK FOR 25 USERS
CLEANING PERIOD = 4 MONTHS (INTERVAL)
SCALE: 1:50

DEPTH OF SEPTIC TANK AND S.U./G.W.R. WILL NOT EXCEED THE DEPTH OF BUILDING FOUNDATION.

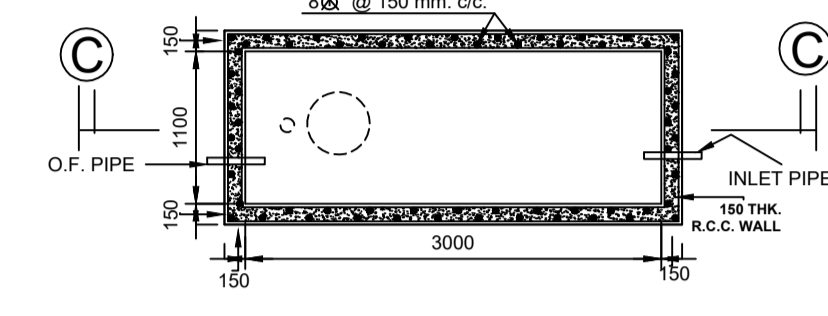
MARKED	SIZE
D	1000 X 2100
D1	900 X 2100
D2	750 X 2100
W1	1500 X 1200
W2	1000 X 1200
W3	600 X 750



GROUND FLOOR PLAN
SCALE: 1:100



SECTION ON - (C)



PLAN OF R.C.C. SEMI U/G. WATER RESERVOIR
(CAPACITY - 600 GLS.)
SCALE: 1:50

- PREMISES NO. - 58/1, NETAJI SUBASH ROAD, WARD NO. - 130,
- ASSEESSE NO. - 41 - 130 - 09 - 0331 - 2.
- NAME OF THE OWNER(S) / APPLICANT(S) - SRI SALIL KUMAR RAY & OTHERS.
- AREA OF LAND = 207.629 SQ.M.
- NAME OF L.B.S. - DILIP KUMAR CHAKRABORTY
- PERMISSIBLE HEIGHT IN REFERENCE TO CCZM ISSUED BY AAI : 33.0 MTS.

CO - ORDINATE IN WGS 84 AND SITE ELEVATION (AMS)

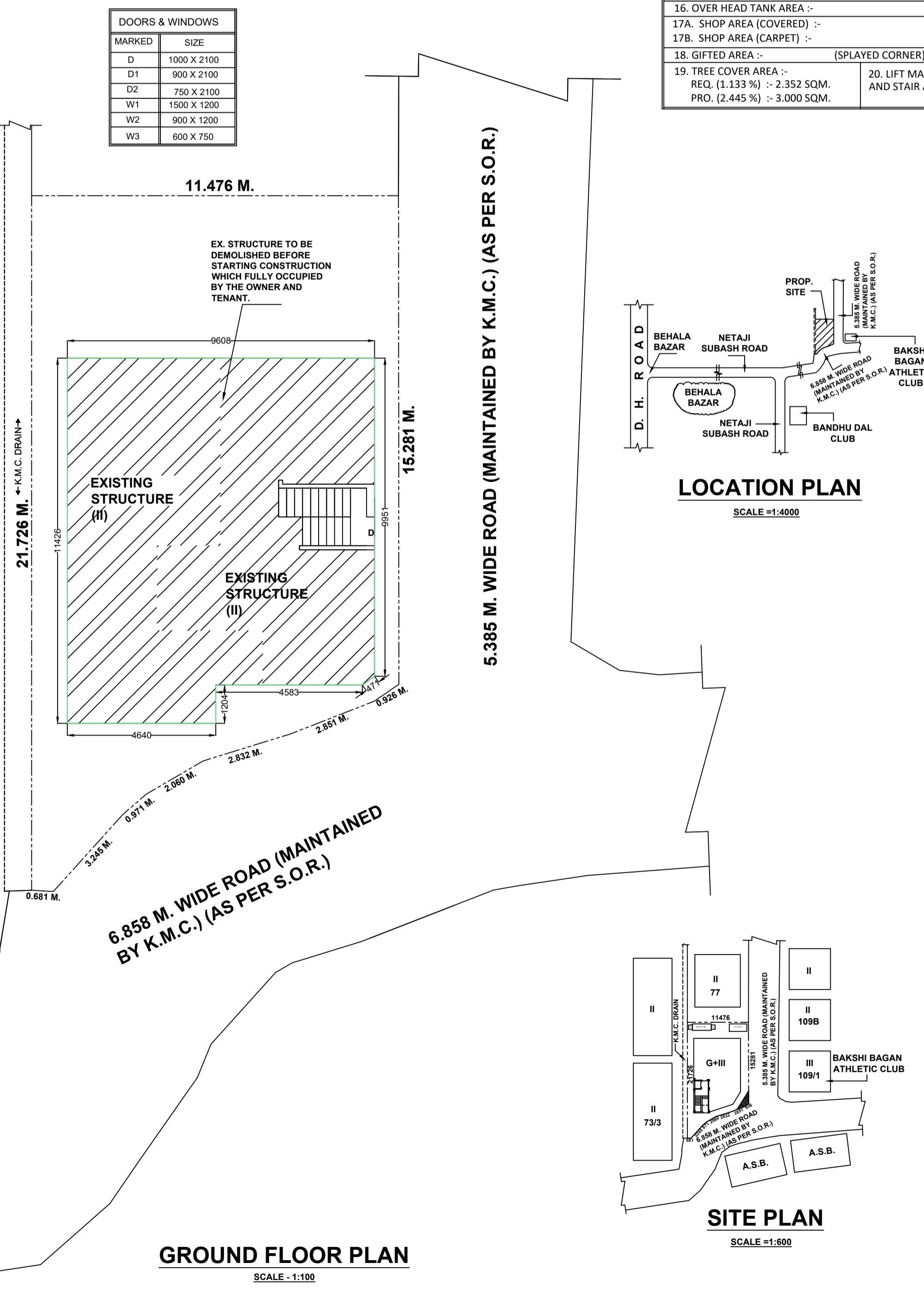
REFERENCE POINTS MARKED IN THE SITE PLAN OF THE PROPOSED	CO - ORDINATE IN WGS 84		SITE ELEVATION (AMS)
	LATITUDE	LONGITUDE	
	22°30'11.46"N	88°18'44.89"E	4.18 MTS.

THE ABOVE INFORMATION IS TRUE AND CORRECT IN ALL RESPECT AND IF AT ANY STAGE, IT IS FOUND OTHERWISE, THEN I SHALL BE FULLY LIABLE FOR WHICH K.M.C. AND OTHER APPROPRIATE AUTHORITY RESERVE THE RIGHT TO TAKE APPROPRIATE ACTION AGAINST ME AS PAR LAW. THE PLOT DOES NOT SITUATED ON THE RED ZONE OF CCZM.

1) SRI SALIL KUMAR RAY,
2) KRISHNA CHOWDHURY &
3) SMT. MADHUMITA MITRA,
OWNER(S) / APPLICANT(S)

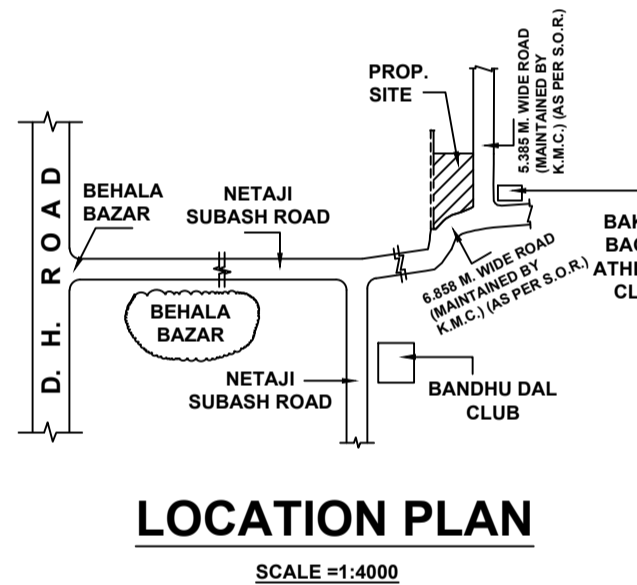
DILIP KUMAR CHAKRABORTY
NAME OF L.B.S. NO. - 321(I)

MARKED	SIZE
D	1000 X 2100
D1	900 X 2100
D2	750 X 2100
W1	1500 X 1200
W2	900 X 1200
W3	600 X 750



GROUND FLOOR PLAN
SCALE: 1:100

STATEMENT OF THE PLAN PROPOSAL								
1. ASSESSE NO. - 41 - 130 - 09 - 0331 - 2								
2. A) DETAILS OF REG. DEED :-								
i) AREA OF LAND = (AS PER DEED) = 03 KT. - 01 CH. - 30 SQ. FT. = 207.637 SQ.M.	ii) BOOK NO. - I							
iii) BEING NO. - 2863	iv) PAGE NOS. - 99 TO 103							
iii) AREA OF LAND = (AS PER BOUNDARY DECLARATION) 207.629 SQ.M.								
iv) VOL. NO. - 41	v) YEAR - 1981							
vi) AT J.S.R. - ALIPOUR AT BEHALA.								
2. B) DETAILS OF REG. DEED OF CONVEYANCE :-								
i) BEING NO. - 160704601	ii) BOOK NO. - I							
iii) VOL. NO. - 1607-2025	iv) PAGE NOS. - 127762 TO 127794							
v) DATE - 23/06/2025								
vi) AT A.D.S.R. - BEHALA.								
2. C) DETAILS OF POWER OF ATTORNEY :-								
i) BEING NO. - 160704824	ii) BOOK NO. - I							
iii) VOL. NO. - 1607-2025	iv) PAGE NOS. - 127762 TO 127794							
v) DATE - 30/06/2025								
vi) AT A.D.S.R. - BEHALA.								
2. D) DETAILS OF REG. DEED OF AMALGAMATION :-								
i) BEING NO. - 160708248	ii) BOOK NO. - I							
iii) VOL. NO. - 1607-2025	iv) PAGE NOS. - 213638 TO 213654							
v) DATE - 04/11/2025								
vi) AT A.D.S.R. - BEHALA.								
2. E) DETAILS OF NON EVICTION OF TENENT :-								
i) BEING NO. - 160700048	ii) BOOK NO. - I							
iii) VOL. NO. - 1607-2026	iv) PAGE NOS. - 138 TO 150							
v) DATE - 05/01/2026								
vi) AT A.D.S.R. - BEHALA, SOUTH 24 PARGANAS.								
2. F) DETAILS OF BOUNDARY DECLARATION :-								
i) BEING NO. - 160700049	ii) BOOK NO. - I							
iii) VOL. NO. - 1607-2026	iv) PAGE NOS. - 151 TO 164							
v) DATE - 05/01/2026								
vi) AT A.D.S.R. - BEHALA, SOUTH 24 PARGANAS.								
2. G) DETAILS OF DEED OF GIFT (SPLAYED CORNER) :-								
i) BEING NO. - 160700051	ii) BOOK NO. - I							
iii) VOL. NO. - 1607-2026	iv) PAGE NOS. - 844 TO 858							
v) DATE - 05/01/2026								
vi) AT A.D.S.R. - BEHALA, SOUTH 24 PARGANAS.								
3. A) HEIGHT = 12.500 M.								
4. A) ROAD WIDTH = 6.858 M.								
5. PROPOSED AREA CALCULATION :-								
A) FOR RESIDENTIAL :-								
AT FLOOR	COVERED AREA	CUTOUT E/D	STAIR WELL	LIFT WELL	GROSS FL. AREA	STAIR & STAIR LOBBY	LIFT LOBBY	NET FLOOR AREA
GROUND	114.852	---	---	---	114.852	10.187	1.969	102.696
1ST.	114.852	---	0.438	1.631	112.783	10.187	1.969	100.627
2ND.	114.852	---	0.438	1.631	112.783	10.187	1.969	100.627
3RD.	114.852	---	0.438	1.631	112.783	10.187	1.969	100.627
TOTAL	459.408	---	1.314	4.893	453.201	40.748	7.876	404.577
6. CAR PARKING CALCULATION :-								
(A) RESIDENTIAL :-								
MARKED	TENEMENT SIZE (SQ.M.)	PROP. AREA TO BE ADDED (SQ.M.)	ACTUAL TENEMENT AREA (SQ.M.)	NO. OF TENEMENT	NUMBER OF FLAT IN BETWEEN			
FLAT GA	31.517	5.669	37.186	1 NO.	N.A.			
FLAT 1A	49.300	8.867	58.167	1 NO.				
FLAT 1B	49.285	8.865	58.150	1 NO.				
FLAT A	98.585	17.732	116.317	2 NOS.				
7A. TOTAL REQUIRED CAR PARKING :-		2 NOS.						
7B. TOTAL PROVIDED CAR PARKING :-		3 NOS.						
8A. PERMISSIBLE AREA OF PARKING :-		50 SQ.M.						
8B. PROVIDED AREA OF PARKING :-		47.125 SQ.M.						
9. PERMISSIBLE F.A.R =		1.722						
10. PROPOSED F.A.R =		7.000 SQ.M.						
11. C.B. AREA :-		114.852 SQ.M.						
12. TERRACE AREA :-		FOUR STORIED						
13. NO. OF STORIED -		5 NOS.						
14. NO. OF TENEMENTS -		13.128 SQ.M.						
15. STAIR HEAD ROOM AREA :-		6.490 SQ.M.						
16. OVER HEAD TANK AREA :-		19.728 SQ.M.						
17A. SHOP AREA (COVERED) :-		18.350 SQ.M.						
17B. SHOP AREA (CARPET) :-		2.741 SQ.M.						
18. GIFTED AREA :- (SPLAYED CORNER)		9.464 SQ.M.						
19. TREE COVER AREA :-		REQ. (1.133 %) :- 2.352 SQ.M.						
20. LIFT MACHINE ROOM AND STAIR AREA :-		PRO. (2.445 %) :- 3.000 SQ.M.						



LOCATION PLAN
SCALE: 1:4000

L.B.S. DECLARATION
I CERTIFY WITH FULL RESPONSIBILITY THAT THE BUILDING PLAN HAS BEEN DRAWN OF AS PER PROVISION OF K.M.C. BUILDING RULES 2009, AS AMENDED FROM TIME TO TIME AND THAT THE SITE CONDITIONS INCLUDING THE WIDTH OF THE ABUTTING COMMON PASSAGE CONFORM WITH THE PLAN AND THAT IT IS A BUILDABLE SITE NOT TANK OF FILLED UP TANK. THE LAND IS BOUNDED BY BOUNDARY WALLS.
DILIP KUMAR CHAKRABORTY
NAME OF L.B.S. NO. - 321 (I)

STRUCTURAL DECLARATION
THE STRUCTURAL DESIGN AND DRAWING OF BOTH FOUNDATION AND SUPER STRUCTURE OF THE BUILDING WILL BE MADE BY ME CONSIDERING ALL POSSIBLE LOADS INCLUDING THE SEISMIC LOAD AS PER THE N.B. LATEST CODE OF INDIA AND I WILL CERTIFY THAT IT IS SAFE AND STABLE IN ALL RESPECTS.
SOIL TESTING WILL BE DONE BY: BHASKAR ROY, OF "VASCON", AT 67A, JADUNATH MUKHERJEE ROAD, KOLKATA - 700034.
THE RECOMMENDATIONS OF SOIL TEST REPORT WILL BE CONSIDERED DURING STRUCTURAL CALCULATION.
D. GHOSH (II/228)
NAME OF STRUCTURAL ENGINEER

NOTES & SPECIFICATION
1. ALL DIMENSION ARE IN M.M. UNLESS OTHERWISE NOTED.
2. ALL OUTER WALLS ARE 200TH. IN C.M.-16 & PARTITION WALLS ARE 125TH. & 75TH IN C.M.-14
3. GRADE OF STEEL Fe-500
4. GRADE OF CONCRETE - M20
5. ALL MATERIALS & CONSTRUCTION SHALL BE AS PER I.S. CODE & N.B.S.
6. PROPORTION OF D.P.C. :- 1:2:4 WITH CICO POWDER
7. DEPTH OF SEPTIC TANK & S.U.W.R. SHALL NOT EXCEED THE DEPTH OF NEAREST BUILDING FOUNDATION.
8. PROPORTION OF LIME TERRACING - 2:2:7

OWNERS DECLARATION
WE, DO HERE BY DECLARE WITH FULL RESPONSIBILITY THAT WE SHALL ENGAGE L.B.S. AND E.S.E. DURING CONSTRUCTION. WE SHALL FOLLOW THE INSTRUCTION OF L.B.S. AND E.S.E. DURING CONSTRUCTION OF BUILDING (AS PER B.S. PLAN) K.M.C. AUTHORITY WILL NOT BE RESPONSIBLE FOR STRUCTURAL STABILITY OF THE BUILDING AND AT JOINING STRUCTURES. IF ANY SUBMITTED DOCUMENTS ARE FOUND TO BE FAKE, THE K.M.C. AUTHORITY WILL REVOKE THE SANCTION PLAN. THE CONSTRUCTION OF SEMI U/G WATER RESERVOIR AND SEPTIC TANK WILL BE UNDERTAKEN UNDER THE GUIDANCE OF L.B.S. / E.S.E. BEFORE STARTING OF BUILDING FOUNDATION WORK.
"FOUR WALLS" PROPRIETOR OF SRI SALIL KUMAR RAY C.A. OF SMT. KRISHNA CHOWDHURY & SMT. MADHUMITA MITRA
NAME OF OWNER

DECLARATION OF GEO-TECHNICAL ENGINEER
I UNDERSIGNED HERE BY UNDERTAKE THAT I SHALL BE CARRY OUT THE SOIL INVESTIGATION REPORT AFTER DEMOLITION OF EXISTING STRUCTURE. THEN I SHALL CERTIFY THE CHARACTER OF SOIL & THE SITE IS ABLE TO CARRY THE LOAD COMING FROM THE PROPOSED CONSTRUCTION AND THE FOUNDATION SYSTEM PROPOSED HEREIN IS SAFE AND STABLE IN ALL RESPECT FROM GEO-TECHNICAL POINT OF VIEW.
BHASKAR ROY
NAME OF LICENSE NO. - G.T.II/2

PLAN OF PROPOSED G+III STORIED RESIDENTIAL BUILDING U/S - 393 (A) OF K.M.C. ACT 1980, COMPLYING BUILDING RULES 2009 ALONG WITH NOTIFICATION NO. - 597/UDMA-15011(24)/12/2023, DATE - 14 / 08 / 2025 AT PREMISES NO. - 58/1, NETAJI SUBASH ROAD, WARD NO. - 130, BOROUGH NO. - XIV, KOLKATA - 700034, P.S. - PARNASREE, UNDER K.M.C. (S.S. UNIT).
NAME OF OWNERS:- 1) SRI SALIL KUMAR RAY, 2) KRISHNA CHOWDHURY & 3) SMT. MADHUMITA MITRA.

DRAWN BY: DILIP KR. CHAKRABORTY
CIVIL ENGINEER
L.B.S. - CLASS - I (K.M.C.)
OFF:- 22, BONOMALI NASKAR ROAD
CALCUTTA - 700060
B.P. NO. - 2025140241
DATE - 17.02.2026
VALID UPTO :- 16.02.2031

DIGITAL SIGNATURE OF A.E.